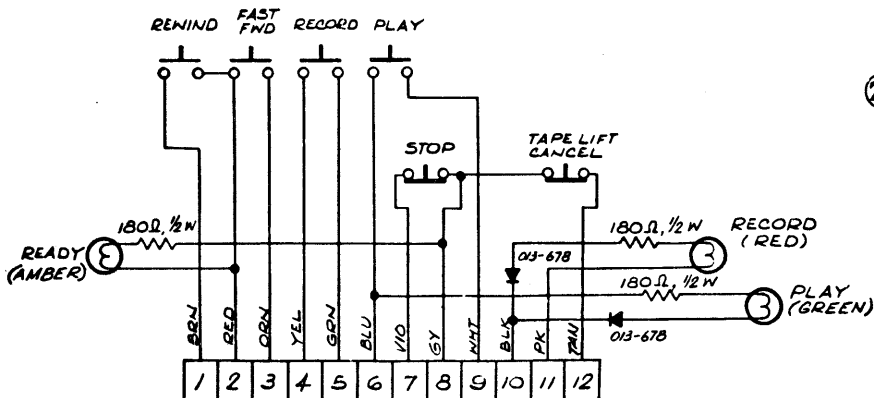
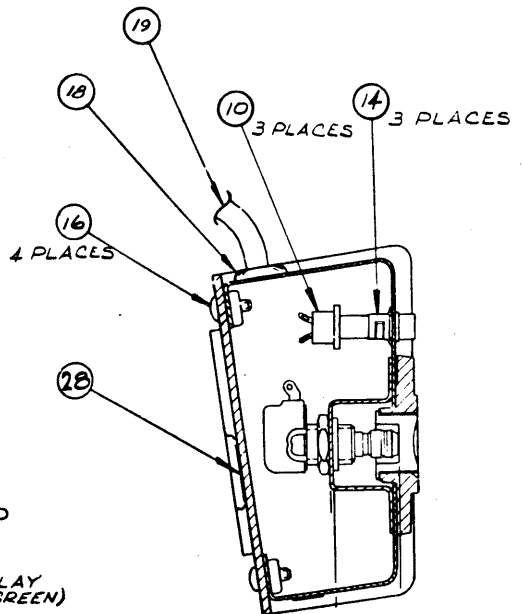
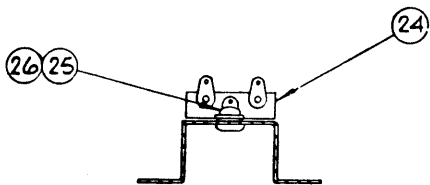
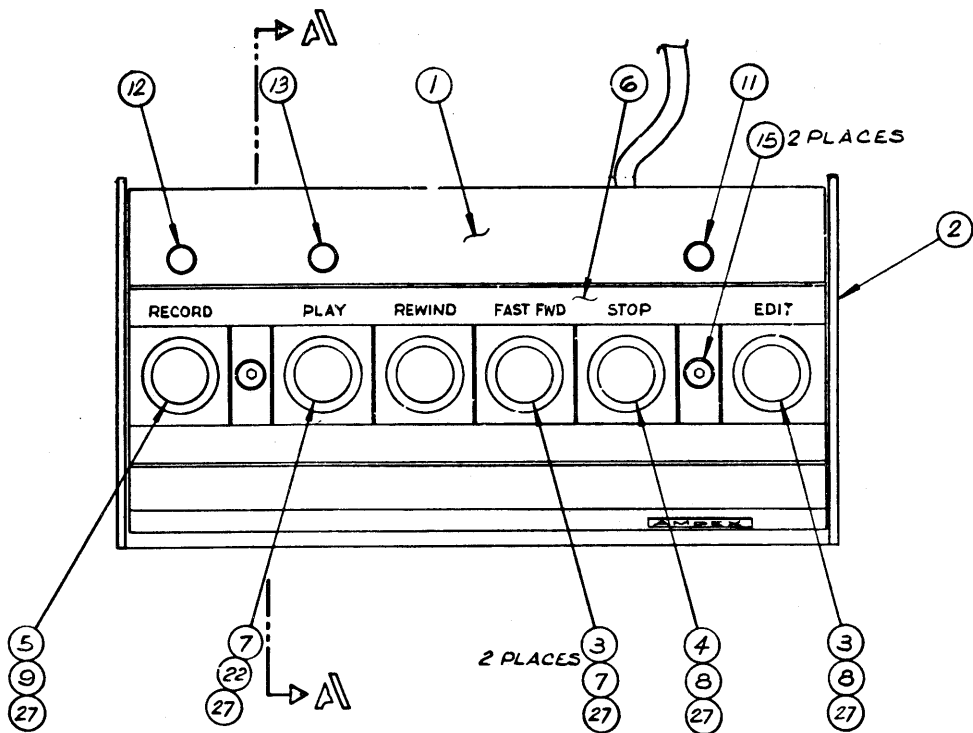


NEXT HIGHER ASSEMBLY NO. ACCESSORY

ITEM NO.	AMPEX PART NO.	REFERENCE NUMBER	DESCRIPTION	JEDEC NO. OR MFR. PART NO.
1	4040997-02		PANEL ASSEMBLY	
2	4040999-01		BASE ASSEMBLY	
3	4100183-01		PUSHBUTTON, WHITE	
4	4100183-02		PUSHBUTTON, YELLOW	
5	4100183-03		PUSHBUTTON, RED	
6	4110274-01		ESCUTCHEON	
7	4620144-10		SWITCH, PUSHBUTTON	
8	4620144-20		SWITCH, PUSHBUTTON	
9	4620144-30		SWITCH, PUSHBUTTON	
10	132-160		SOCKET, LIGHT	
11	132-099		LIGHT, INDICATOR, AMBER	
12	132-100		LIGHT, INDICATOR, RED	
13	060-338		LIGHT, INDICATOR, GREEN	
14	435-069		RETAINER, C-LITE	
15	470-384		SCREW, CAP, HEX SOCKET, BUT HD 8-32 X 1/2 LG	
16	473-040		SCREW, MACH, XREC, TRUSS HD 8-32 X 7/16	
17	041-257		RESISTOR, FIXED, COMP, 180 OHM, 1/2W, 10%	
18	264-011		STRAIN RELIEF	
19	4050086-01		CABLE ASSY, REMOTE CONTROL	
22	4100183-04		PUSHBUTTON, GREEN	
23	013-678		DIODE	1N4385
24	180-240		TERMINAL STRIP	
25	471-062		SCREW, XREC, PAN HD, 4-40 X 3/8 LG	
26	501-913		WASHER, FLAT, NO. 4	
27	502-128		WASHER, LOCK, FLAT, INT TOOTH, 1/2"	
28	6000035-02		LABEL, IDENTIFICATION	

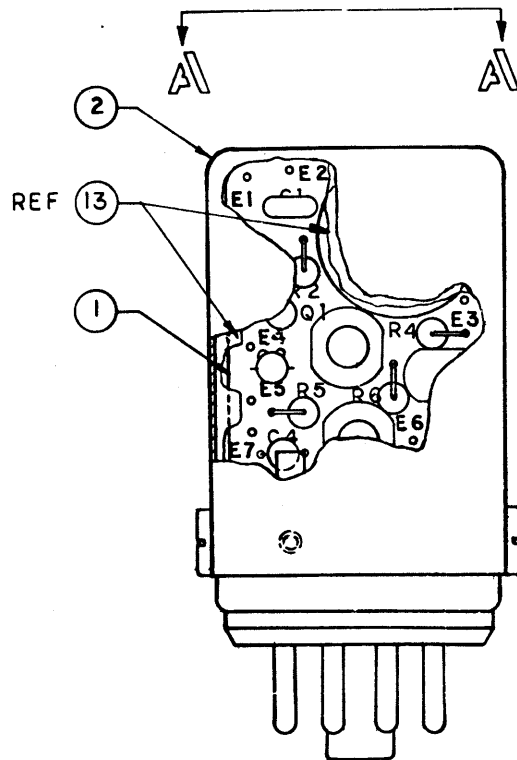
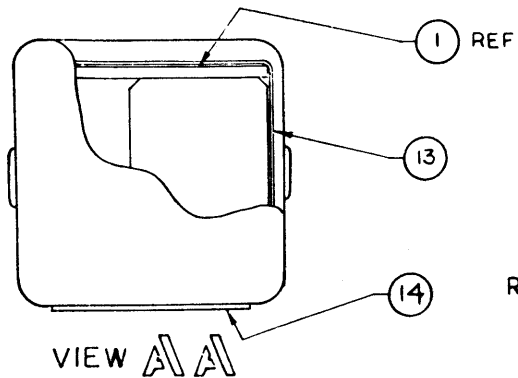
VERSION: 4010080-02



Assembly No. 4010080, Remote Control Assembly

NEXT HIGHER ASSEMBLY NO. ACCESSORY

ITEM NO.	AMPEX PART NO.	REFERENCE NUMBER	DESCRIPTION	JEDEC NO. OR MFR. PART NO.
1	4050409-01		TRANSISTOR MICROPHONE PREAMP PWA	
2	4290201-10		CAN, PLUG-IN MODIFIED	
3	4170150-05		LABEL, PREAMPLIFIER	
12	4890164		INSTRUCTION SHEET	
13	4130147-10		PAD	
14	4170150-06		LABEL, PREAMPLIFIER	
15	4840153		SCHEMATIC	
VERSION: 4010066-02				



WIRE LEAD LIST					
WIRE NO	FROM		TO		ITEM NO. OF LM 4010066
	REF	DES   TERM	REF	DES   TERM	
1	P2	8	PWB	E1	11
2	P2	4	PWB	E2	7
3	P2	2	PWB	E3	5
4	P2	3	PWB	E4	6
5	P2	5	PWB	E5	8
6	P2	6	PWB	E6	9
7	P2	7	PWB	E7	10
8	P2	1	ITEM 2	GRD	4

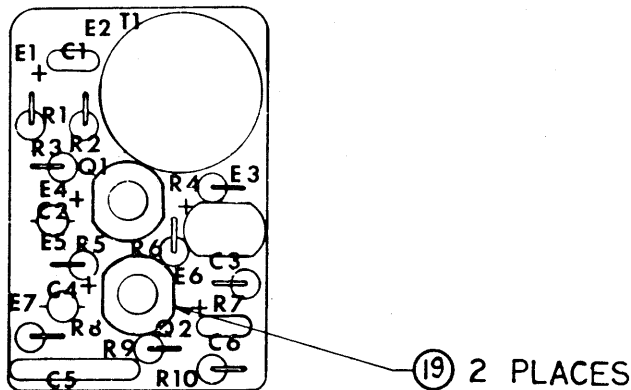
bridging transformer: P/N 4580200-01  
 balanced transformer: P/N 45802-0-02

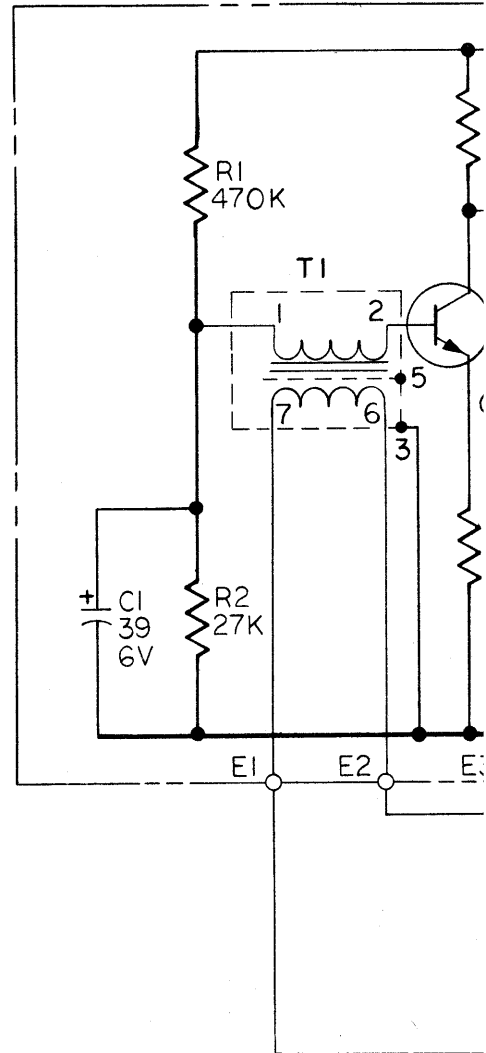
**Assembly No. 4010066, Transistor Microphone Preamplifier Assembly**

NEXT HIGHER ASSEMBLY NO. 4010066

ITEM NO.	AMPEX PART NO.	REFERENCE NUMBER	DESCRIPTION	JEDEC NO. OR MFR. PART NO.
2	4580197-01	T1	TRANSFORMER, MICROPHONE	2N3565
3	014-698	Q1, 2	TRANSISTOR	
4	030-102	C5	CAPACITOR, CERAMIC, 0.0022 UF, 500V	
5	037-450	C2, 4	CAPACITOR, TANT, 0.22 UF, 25V	
6	037-452	C1, 6	CAPACITOR, TANT, 39 UF, 6V	
7	037-451	C3	CAPACITOR, TANT, 68 UF, 20V	
8	041-015	R2	RESISTOR, CARBON COMP, 27K, 1/2W, 5%	
9	041-029	R1, 7	RESISTOR, CARBOM COMP, 470K, 1/2W, 5%	
10	041-006	R4	RESISTOR, CARBON COMP, 620 OHM, 1/2W, 5%	
11	041-377	R6	RESISTOR, CARBON COMP, 1.3M, 1/2W, 5%	
12	041-009	R9	RESISTOR, CARBON COMP, 1800 OHM, 1/2W, 5%	
13	041-016	R10	RESISTOR, CARBON COMP, 22K, 1/2W, 5%	
14	041-373	R5	RESISTOR, CARBON COMP, 9100 OHM, 1/2W, 5%	
15	042-482	R8	RESISTOR, METAL FILM, 47.5K, 1/4W, 1%	
16	057-208	R3	RESISTOR, METAL FILM, 22.1K, 1/4W, 1%	
18	4840153		SCHEMATIC	
19	280-130		SPACER, TRANSISTOR	

VERSION: 4050409-01





NOTES: UNLESS OTHERWISE SPECIFIED

1. ALL CAPACITOR VALUES ARE IN MICROFARADS

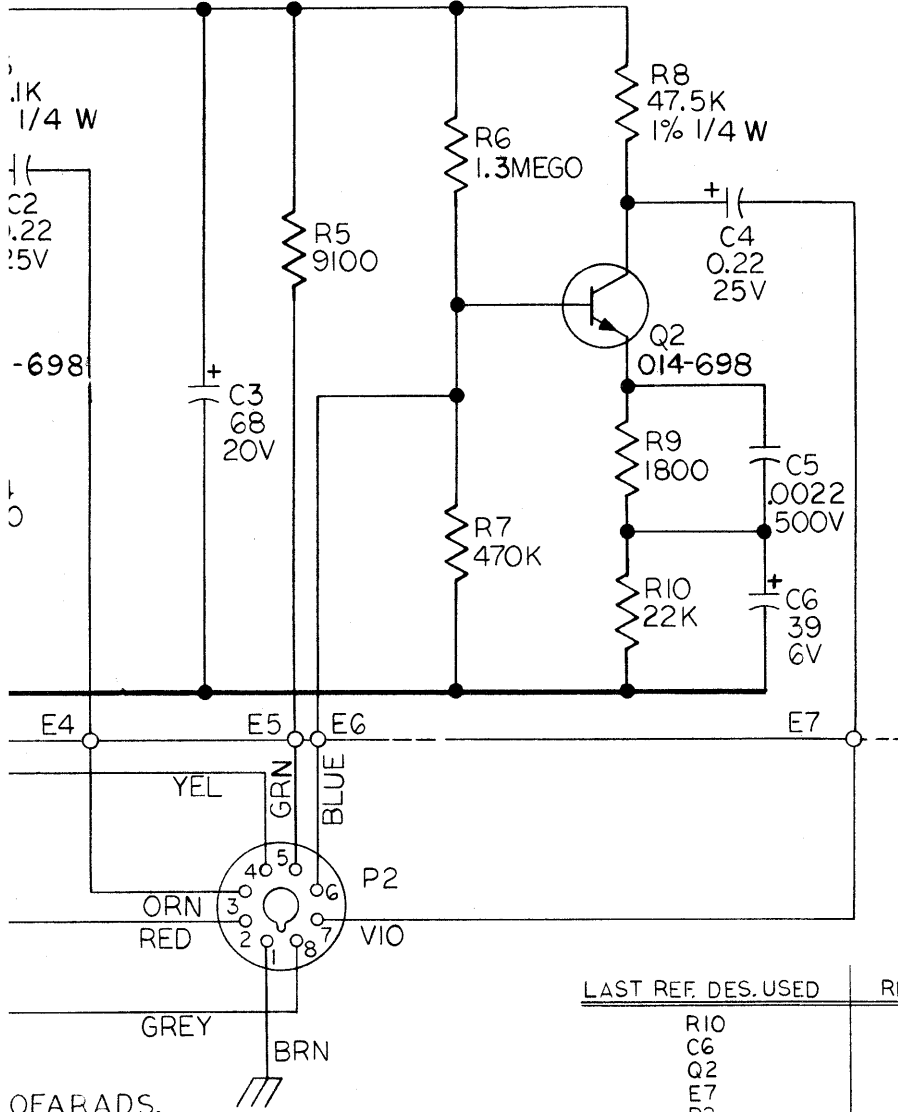
2. ALL RESISTOR VALUES ARE IN OHMS

3. TRANSISTORS 2N3117 OR 2N3565

INSTEAD OF 014-698 FOR

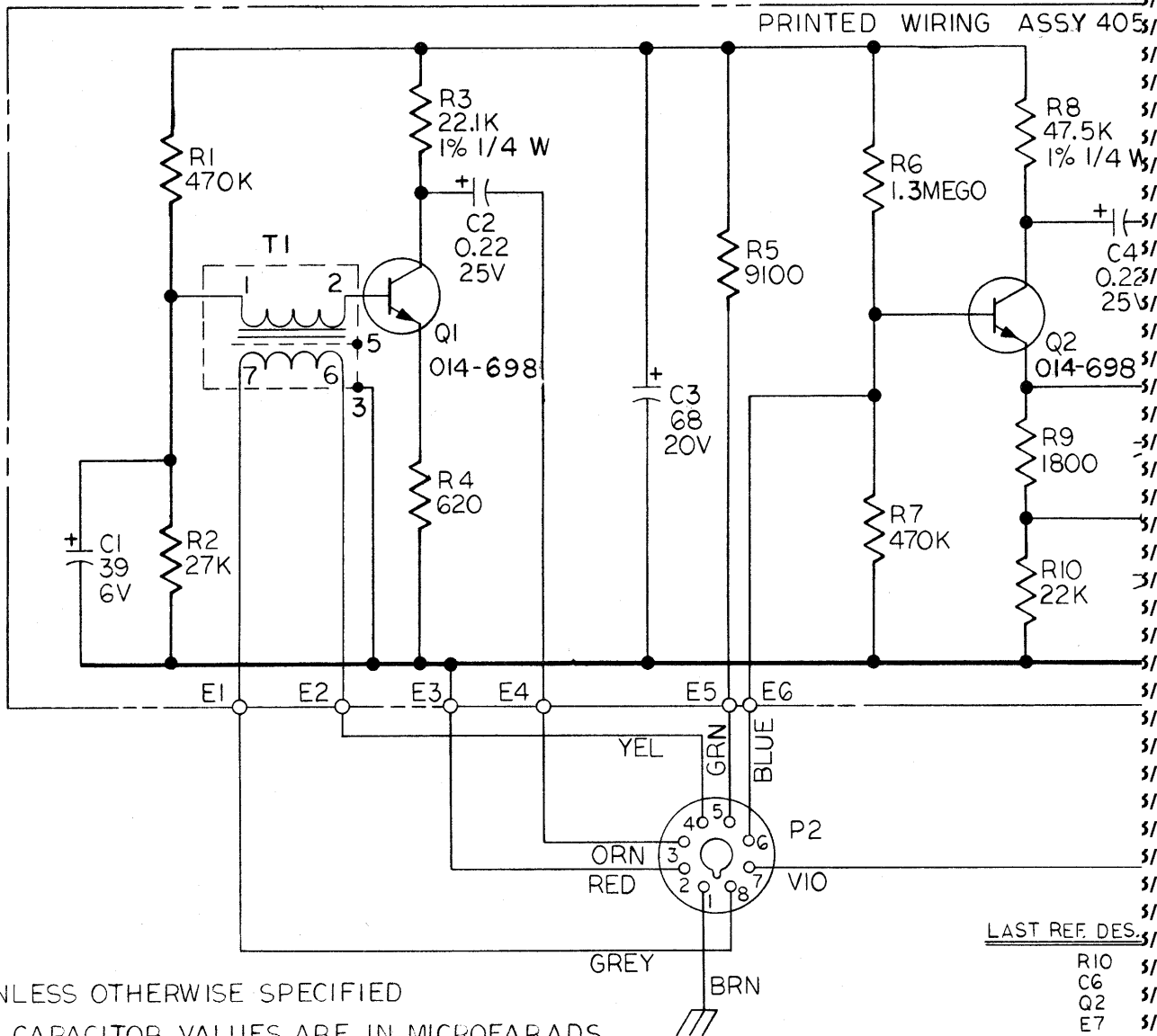
SERVICE USE ONLY.

PRINTED WIRING ASSY 4050409



OFARADS.  
 1/2W, 5%.  
 MAY BE USED

LAST REF. DES. USED	REF. DES. NOT USED
R10	PI
C6	
Q2	
E7	
P2	
T1	



NOTES: UNLESS OTHERWISE SPECIFIED

1. ALL CAPACITOR VALUES ARE IN MICROFARADS.
2. ALL RESISTOR VALUES ARE IN OHMS, 1/2W, 5%.
3. TRANSISTORS 2N3117 OR 2N3565 MAY BE USED INSTEAD OF 014-698 FOR SERVICE USE ONLY.

LAST REF DES.

R10  
 C6  
 Q2  
 E7  
 P2  
 T1